

BALDOR® • RELIANCE 

Product Information Packet

D2505R

5HP, 1750RPM, DC, 1812ATY, TEFC,

Part Detail							
Revision:	-	Status:	PRD/A	Change #:		Proprietary:	No
Type:	DC	Prod. Type:		Elec. Spec:	G2107A B	CD Diagram:	406770-001
Enclosure:	TEFC	Mfg Plant:		Mech. Spec:		Layout:	609981-001
Frame:	C1812	Mounting:	F1	Poles:	00	Created Date:	12-27-2019
Base:		Rotation:		Insulation:		Eff. Date:	01-02-2020
Field Type:		Literature:		Elec. Diagram:		Replaced By:	

Specs			
Enclosure:	TEFC		
Frame:	C1812ATZ		
Frame Material:	Exposed Laminations		
Agency Approvals:	CCSA US		
Base Indicator:	Rigid		
Bearing Grease Type:	Polyrex EM (-20F +300F)		
Drip Cover:	No Drip Cover		
Duty Rating:	CONT		
Feedback Device:	NO FEEDBACK		
Field Winding Type:	STAB SHUNT		
Frame Prefix:	C		
Heater Indicator:	No Heater		
Insulation Class:	F		
Lifting Lugs:	Standard Lifting Lugs		
Mounting Arrangement:	F1		
Shaft Extension Location:	Double Shaft		

Shaft Ground Indicator:	No Shaft Grounding		
Shaft Slinger Indicator:	No Slinger		
Motor Standards:	NEMA		
Thermal Device - Bearing:	None		

Parts List		
Part Number	Description	Quantity
SA377471	SA T18S1005	1.000 EA
AA018272	AA T18S1005	1.000 EA
000692000FS	WARNING LABEL	1.000 EA
000692000FP	NP, WARNING LIFT INSTRUCTIONS	1.000 EA
418057747A	METAL FASTENER	8.000 EA
000613006HP	NAMEPLATE - RPM III D-C MOTOR W/CSA LOGO	1.000 EA
422908009B	SLVNG EXTRA SLVG LENGT	28.000 EA
609844004A	LEAD SHELF	1.000 EA
036170006EA	DRSCW METRIC NAMEPLATE	2.000 EA
609848010A	INSUL, LEAD SHELF	1.000 EA
417735001A	SLEEVE	1.000 EA
036000025HB	HHCS M6-1.0X25L PLTD.	4.000 EA
036610008AB	METRIC LCKW M6 PLTD-G508	4.000 EA
036600008AB	MFWSH M6 PLATED	4.000 EA
036501008AB	KPNUT M6-1.0 ZINCPLTED	4.000 EA
036000030HB	MHHCSM6-1.0X30MMPLTD-250	4.000 EA
036601008AB	M6 FLAT WASHER	4.000 EA
036000012HB	HHCS M6X12MM LONG PLATED	2.000 EA
419904051AB	BRUSH EXTRUDER DUTY C	2.000 EA
706372003B	ROCKR	1.000 EA
706364051AA	BRHLD METRIC SPRING CHG.	2.000 EA
801758052A	BRKT,ODE,C180	1.000 EA
801759052B	BRKT,DE,C180	1.000 EA
004824015A	GREASE POLYREX EM	0.100 LB

Parts List (continued)		
Part Number	Description	Quantity
036000050JB	M8-1,25 X 50 MHHCS	2.000 EA
036000050HB	MHHCS M6X50MM PLATED	2.000 EA
034630001AJ	1/8" PIPE COUPLING	1.000 EA
400638001E	WWSHR (Customer number 43699)	1.000 EA
418150003A	GREASE FITTING CAP	2.000 EA
035000001A	ALFTG 1/8" 1610-BL	1.000 EA
035000001A	ALFTG 1/8" 1610-BL	1.000 EA
034530010AB	1/8 X 1.25 PIPE NIPPLE	1.000 EA
034693001AB	PPLG - G508- use 034692001AB	1.000 EA
034693001AB	PPLG - G508- use 034692001AB	1.000 EA
036500009AB	METRIC NUTM8-1.25PLTD-360	4.000 EA
036500009AB	METRIC NUTM8-1.25PLTD-360	4.000 EA
609830005L	TBOLT METRIC RP609830-	4.000 EA
415000103G	TLUG	1.000 EA
415072001A	CLAMP	1.000 EA
801766002A	FNCVR	1.000 EA
417733001A	GSK C/ BOX BASE	1.000 EA
034180010DA	KEY 1/4X1/4X1-1/4L	1.000 EA
078546001NA	EXT FAN 7.50 OD&1.126 DIA BORE 78546-1G	1.000 EA
609878001A	GRILL, FAN	1.000 EA
032018008CK	HHCS 3/8-16X1L PLATED	4.000 EA
034017014AB	LCKW 3/8 STD. PLATED	4.000 EA
034001012AB	WSHR 1/4" PLATED	12.000 EA
032018004CK	HHCS 3/8-16X1/2L PLATED	3.000 EA

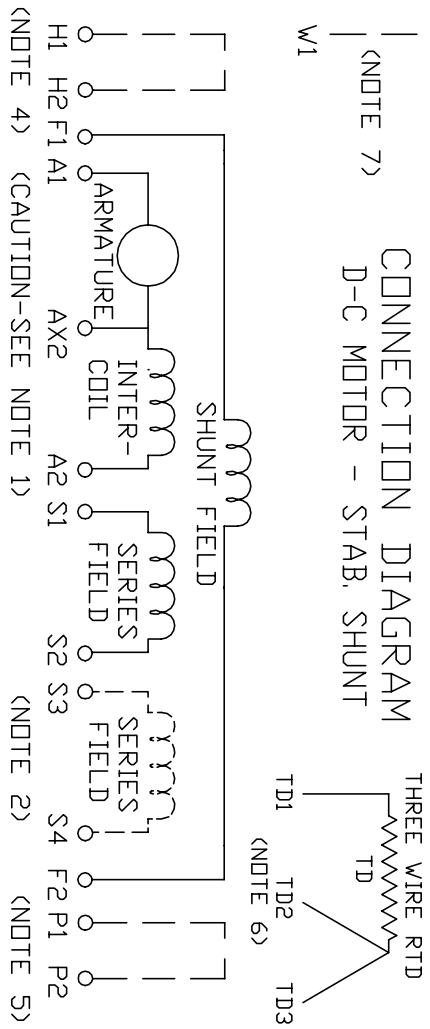
Product Information Packet: D2505R - 5HP,1750RPM,DC,1812ATY,TEFC,

418018074A	GROUND LABEL G100 METRIC 160 D.C.	1.000 EA
036620009AB	M8 EXTERNAL LK WASHER	1.000 EA
705031005A	SHROUD	1.000 EA
705031005C	SHROUD	1.000 EA
032018006AK	HHCS 1/4-20X3/4L PLATED	6.000 EA
032018004AK	HHCS 1/4-20X1/2 PLATED	6.000 EA
036000012JB	M8-1.25 X 12MM HXHDC	1.000 EA
422919158	HHCVR KIT,C180,ODE,SOLID,FAN CVR	1.000 EA
422919158	HHCVR KIT,C180,ODE,SOLID,FAN CVR	1.000 EA
422919158	HHCVR KIT,C180,ODE,SOLID,FAN CVR	1.000 EA
422919172	HHCVR KIT,C180,ODE,SOLID	1.000 EA
422919183	HHCVR KIT,C180,ODE,SOLID,FAN CVR MTG	1.000 EA
422919172	HHCVR KIT,C180,ODE,SOLID	1.000 EA
422919183	HHCVR KIT,C180,ODE,SOLID,FAN CVR MTG	1.000 EA
706320003A	CONDUIT BOX	1.000 EA
075451000A	COVER, CONDUIT BOX	1.000 EA
065530000B	GASK	1.000 EA
036000012HB	HHCS M6X12MM LONG PLATED	2.000 EA
036000012JB	M8-1.25 X 12MM HXHDC	4.000 EA
406770001	C/D TAG (STAB SHUNT)	1.000 EA
412043012B	400G BUTTON	1.000 EA
034180014EA	KEY 5/16X5/16X1-3/4L	1.000 EA
000640000P	TAG WINDING THERMOST	1.000 EA
000692000NF	NP 2POLE METRIC LABEL	1.000 EA
004824007K	SPECIAL PAINT	0.100 EA

406770-001

406770-001

**CONNECTION DIAGRAM
D-C MOTOR - STAB. SHUNT**



ARMATURE AND FIELD EXTERNAL CONNECTIONS
WARNING- SEE NOTE 8 FOR GROUNDING INSTRUCTIONS



ROTATION FACING COMMUTATOR END

1. **CAUTION** — ARMATURE AND SERIES FIELD MAY HAVE MULTIPLE LEADS. CONNECT ALL LUGS WITH THE SAME MARKING TOGETHER.
 2. OPTIONAL SERIES FIELD IS MARKED S3 AND S4. FOR CUMULATIVE SERIES FIELD, CONNECT S3 TO S2 AND CONNECT S4 TO NEGATIVE. FOR DIFFERENTIAL SERIES FIELD CONNECT S4 TO S2 AND S3 TO NEGATIVE.
 3. OPTIONAL CONTROL SIGNAL LEAD IS MARKED AX2. ALWAYS TAKE INTERPOLE DROP BETWEEN A2 AND AX2. NOTE: NEMA DESIGNATION FOR AX2 IS LETTER C.
 4. SPACE HEATERS, WHEN PROVIDED, WILL HAVE LEADS MARKED H1 AND H2, H3, H4, ETC.
 5. THERMAL PROTECTOR, WHEN PROVIDED, WILL HAVE LEADS MARKED P1 AND P2, P3, P4, ETC.
 6. WINDING RTD'S, WHEN PROVIDED, WILL HAVE LEADS MARKED TD1, TD2, & TD3.
 7. BRUSH WEAR SENSOR, WHEN PROVIDED, WILL HAVE LEAD MARKED W1.
 8. **WARNING** — MOTOR MUST BE GROUNDED TO PREVENT SERIOUS INJURIES TO PERSONNEL. GROUND THE MOTOR PER IEC, NATIONAL ELECTRICAL CODE AND ANY APPLICABLE LOCAL ELECTRICAL CODES. A TAPPED HOLE IS PROVIDED IN THE CONDUIT BOX, ON THE FOOT. FRAME BRACE OR OPPOSITE DRIVE END BRACKET, ADJACENT TO THE TERMINAL BOX FOR MOTOR GROUNDING. GROUND LEAD, WHEN PROVIDED, WILL BE GREEN.
- CUSTOMER _____ RELIANCE
CUSTOMER ORDER NO. _____ S.D. NO. _____

REV. DESC: DELETED DUPLICATE WORDS FROM NOTE 8

REV. LTR: A

VERSION: 01

TDR: 000000970330

FILE: \RSN\00026\422

REVISED: 10:19:12 03/11/2016

BY: RAGTBM

MTL: -

BALDOR

D-C MOTOR CONNECTION DIAGRAM STAB. SHUNT

SH 1 of 1

Marketing maintained PDF of MN604:

[MN604?ManNumber=MN604](#)